



DVD REAR SEAT VIDEO SYSTEM JEEP GRAND CHEROKEE

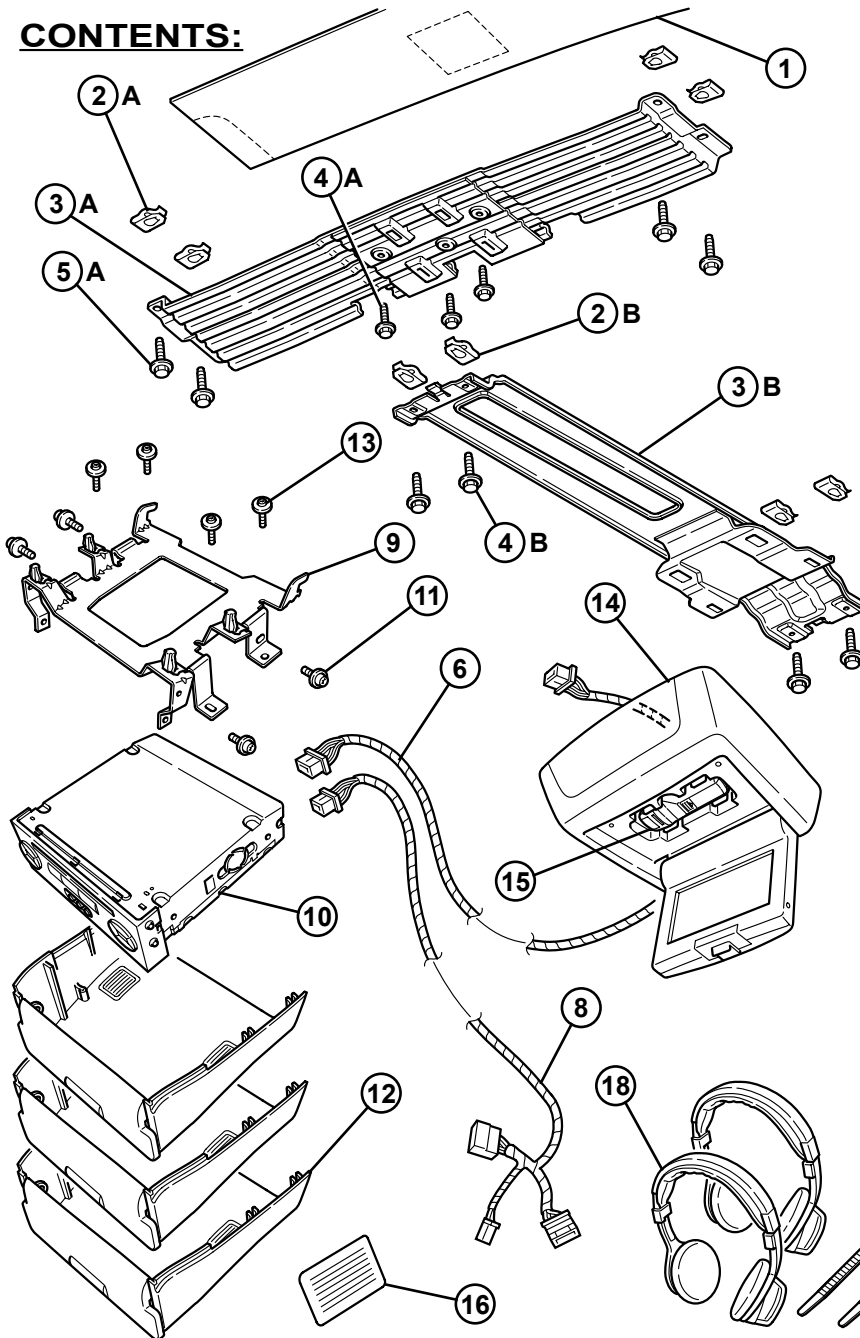
INSTALLATION INSTRUCTIONS

Vehicles equipped with REC Navigation Radio will require an upgrade so that the vehicle speakers will function when a DVD is playing.

TOOLS REQUIRED:

- Scissors • Sharp utility knife • New roll of masking tape • Non-metal trim stick • Hooked Pick Tool
- 10mm Socket • Socket wrench • T15, T20, T25 Torx drivers • Magnetized T15 torx driver
- T50 Torx bit • Tape Measure • Torque wrench • Metal wire routing tool • Strong adhesive tape
- Diagnostic STAR SCAN tool

CONTENTS:



Item	Qty.	Description
①	1	Template

② A	4	M6 U-Nuts
③ A	1	Mounting Bracket
④ A	3	M5 Screws
⑤ A	4	M6 Hex Flange Screws

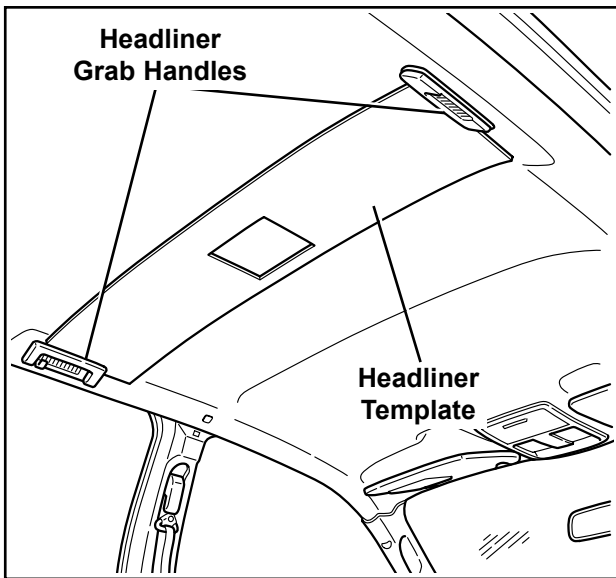
Vehicles with sunroof:

- | | | |
|-----|---|----------------------|
| ② A | 4 | M6 U-Nuts |
| ③ A | 1 | Mounting Bracket |
| ④ A | 3 | M5 Screws |
| ⑤ A | 4 | M6 Hex Flange Screws |

Vehicles without sunroof:

- | | | |
|-----|---|---------------------|
| ② B | 4 | M6 U-Nuts |
| ③ B | 1 | Mounting Bracket |
| ④ B | 4 | M6 Screws & Washers |

- | | | |
|---|---|------------------------|
| ⑥ | 1 | Overhead Harness |
| ⑦ | 6 | Tie Straps |
| ⑧ | 1 | Power Harness |
| ⑨ | 1 | DVD Player Bracket |
| ⑩ | 1 | DVD Player |
| ⑪ | 4 | T25 Screws |
| ⑫ | 3 | End Cap/Lid Assemblies |
| ⑬ | 4 | T15 Screws |
| ⑭ | 1 | Screen Console |
| ⑮ | 1 | DVD Remote |
| ⑯ | 1 | Mercury Warning Label |
| ⑰ | 6 | Batteries |
| ⑱ | 2 | Headphones |
| ⑲ | 1 | Operating Instructions |

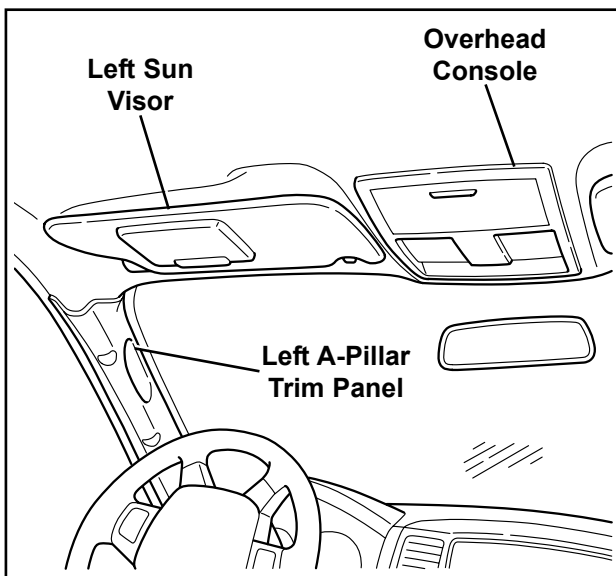


A - Trim Out the Headliner:

- 1) Trim out supplied template (Item 1) along the dotted lines as indicated for vehicles with or without sunroof.
- 2) Position and tape template to the headliner where indicated.
- 3) Measure 20" (508mm) from the rear of overhead console to the front of template.

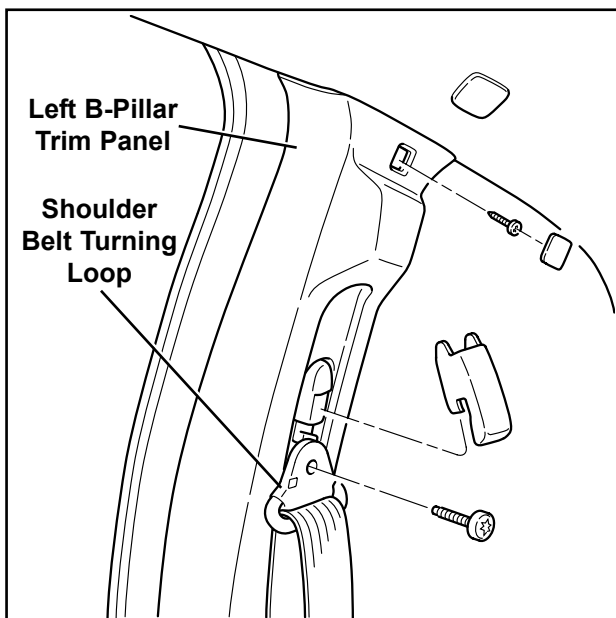
NOTE: Make sure the sunshade (if equipped) is closed.

- 4) Trim out the headliner using a sharp utility knife.

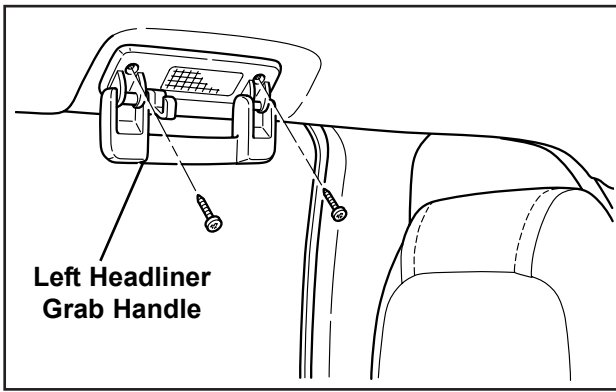


B - Interior Trim Panel and Component Removal:

- 1) Disconnect and isolate negative battery cable.
- 2) Remove left sun visor (two T25 screws). Disengage left sun visor retaining clip.
- 3) Disconnect and remove the overhead console.
- 4) Open the cap plugs in the left A-pillar trim panel and remove the panel (two screws/10mm wrench).

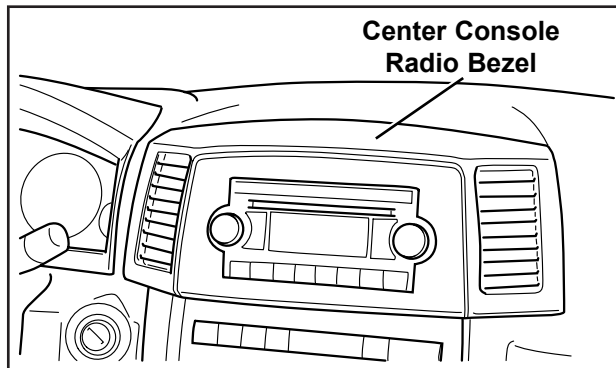


- 5) Remove cap plugs from left and right B-pillar trim panels. Remove one screw each side using a magnetized T15 driver.
- 6) Remove T15 shoulder belt turning loop bolts, then remove the trim panels.



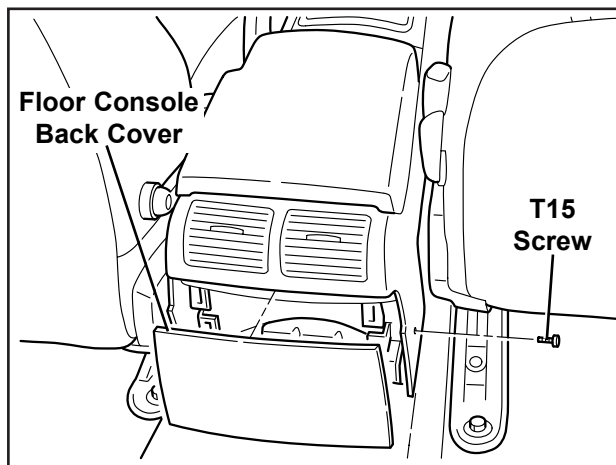
7) Disconnect and remove left and right headliner grab handles (two T20 screws).

8) Remove left and right C-pillar trim panels



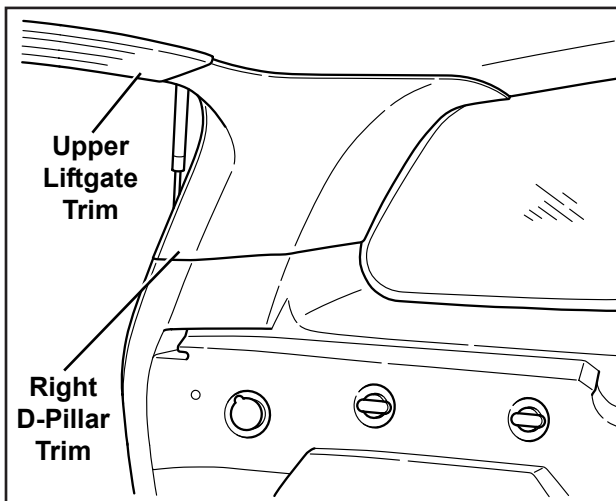
9) Remove center console radio bezel.

10) Remove the radio (four phillips screws).



11) Remove and discard back cover from the rear of floor console.

12) Remove one T15 screw from the right side of floor console.



NOTE: The following Steps 15-17 apply only to vehicles without sunroof.

13) Remove upper liftgate trim panel.

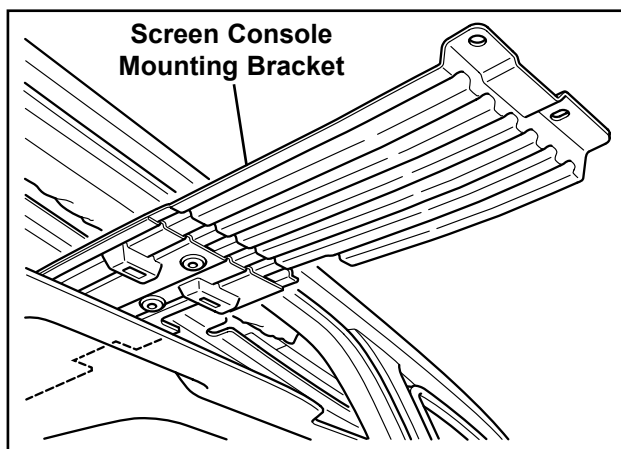
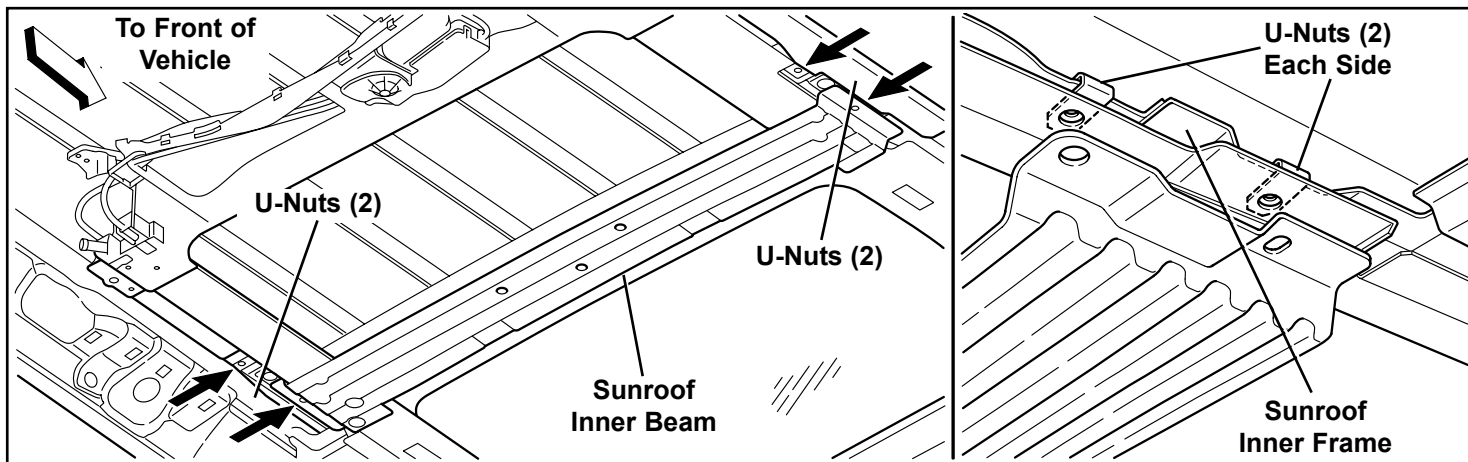
14) Remove left and right D-pillar trim panels.

15) Remove two retainers from rear edge of headliner.

C1 – Install Screen Console Mounting Bracket on Vehicles with Sunroof:

NOTE: See next page for install on vehicles without sunroof.

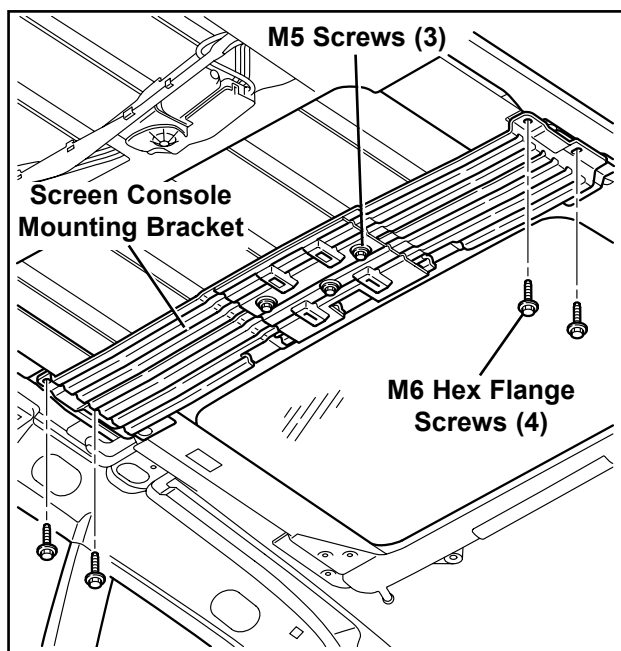
- 1) Install two u-nuts (Item 2A) on each side of the left and right sunroof inner frame.



- 2) Carefully slide the screen console mounting bracket (Item 3A) between headliner and sunroof middle beam.

CAUTION! Stay clear of the side curtain airbags, if equipped.

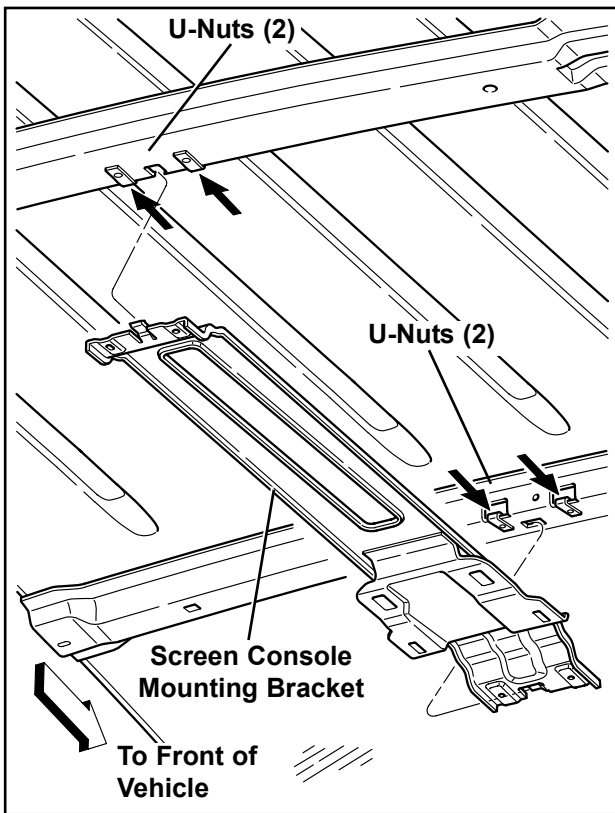
- 3) Align three holes in the center of mounting bracket with those in the middle beam.
- 4) Install three M5 screws (Item 4A).



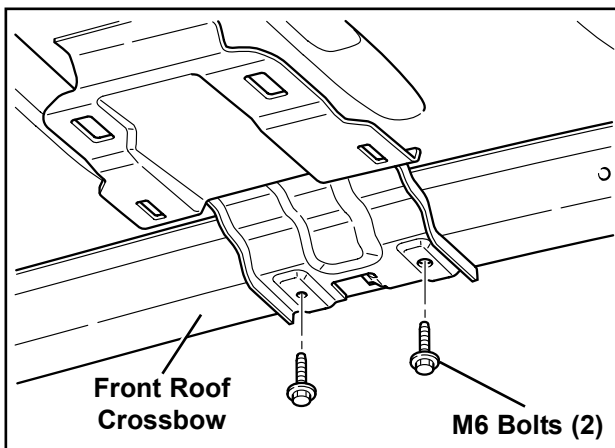
- 5) Install two M6 hex flange screws (Items 5A) to each end of mounting bracket and into the u-nuts. Tighten to 80 in.-lbs. (9 N·m).
- 6) Tighten the three M5 bolts to 85 in.-lbs. (9.6 N·m).

C2 – Install Screen Console Mounting Bracket on Vehicles without Sunroof:

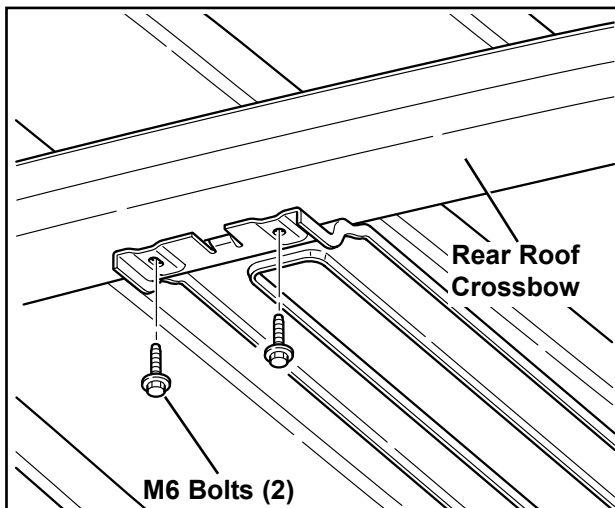
- 1) Install four u-nuts (Item 2B) to slots in the front and rear roof crossbow as shown.
- 2) Carefully slide the screen console mounting bracket (Item 3B) forward from rear opening of headliner.
- 3) Lock the mounting bracket's rear tab to slot in the rear roof crossbow.
- 4) Slide the mounting bracket's front tab to slot in the front roof crossbow.

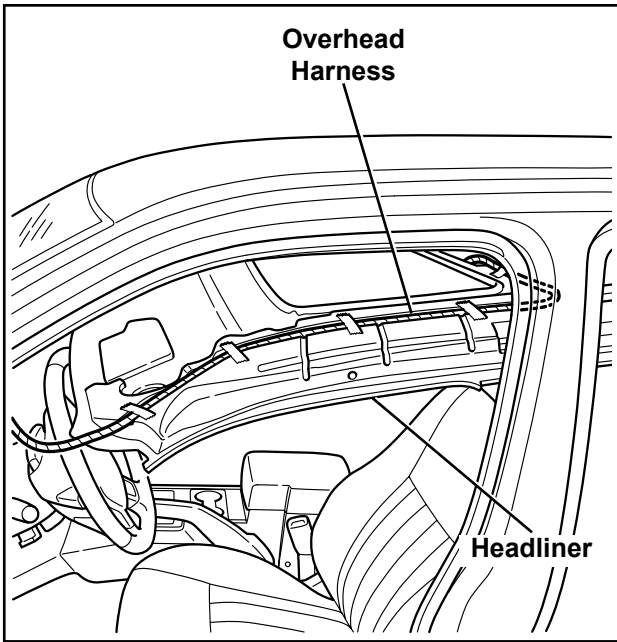


- 5) Align two holes in the front of mounting bracket to those in the front roof crossbow and the previously installed u-nuts.
- 6) Install two M6 bolts (Item 4B) using a 10mm socket.



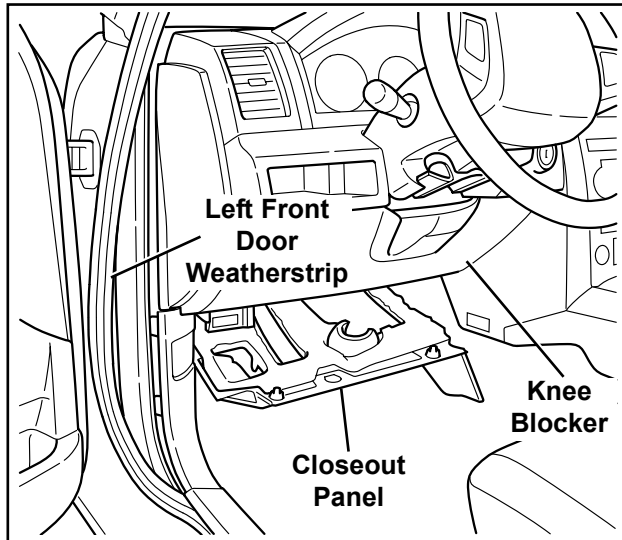
- 7) Install two M6 bolts through holes in the rear of mounting bracket, rear roof crossbow and into the u-nuts.
- 8) Tighten the four bolts to 105 in.-lbs. (11.8 N·m).





D – Install Overhead Harness and Power Harness:

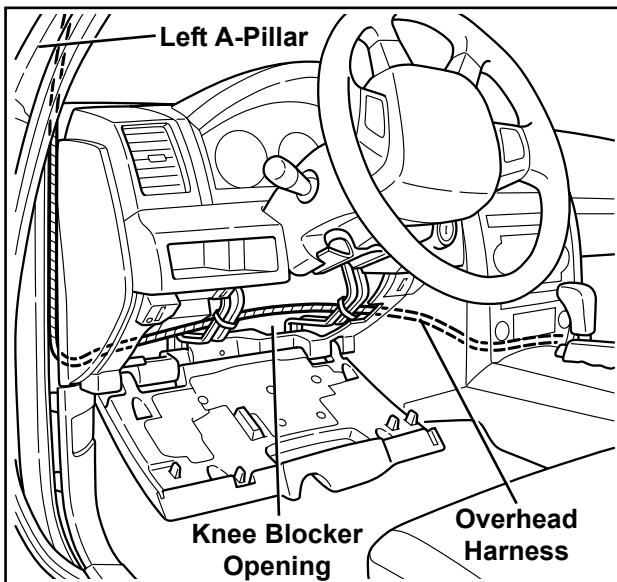
- 1) Carefully lower the headliner and let it rest on the front and rear seat headrests.
- 2) Starting at the left (driver's side) rear door, route black connector on overhead harness (Item 6) under headliner and out of trimmed opening. Leave approximately 4" (101mm) of harness exposed.
- 3) Route harness forward along trough in headliner foam block as shown.
- 4) Using a strong adhesive tape, secure harness to the inside of headliner.



- 5) At this time the headliner must be positioned back in place. Re-install all the pillar trim panels, sun visor/retaining clip, and overhead console.

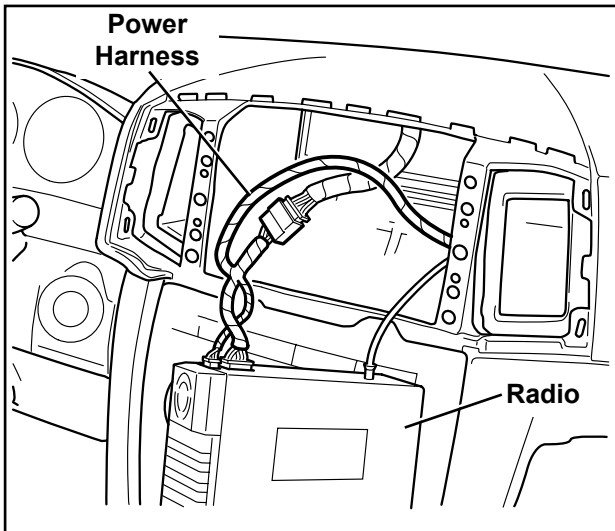
NOTE: Tighten left and right shoulder belt turning loop T50 bolts to 29 ft.-lbs. (39 N·m).

- 6) Detach left front door weatherstrip from the top of I/P to the top of door sill.
- 7) Remove lower I/P closeout panel (two phillips screws) and drop down the knee blocker.



- 8) Continue to route overhead harness down the left A-pillar and secure it to the rear window washer feed hose using three tie straps (Item 7).
- 9) Route harness across the inside of knee blocker opening and through to the lower right center console trim panel.

NOTE: Secure harness away from any heat sources, sharp edges, or moving parts.

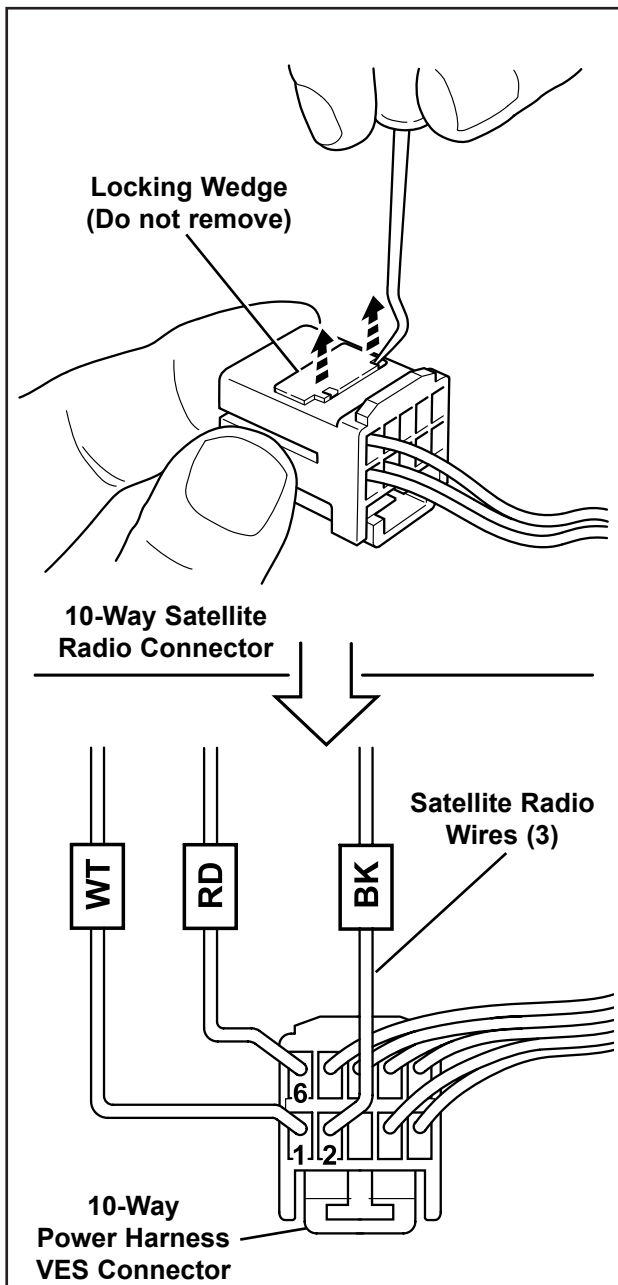


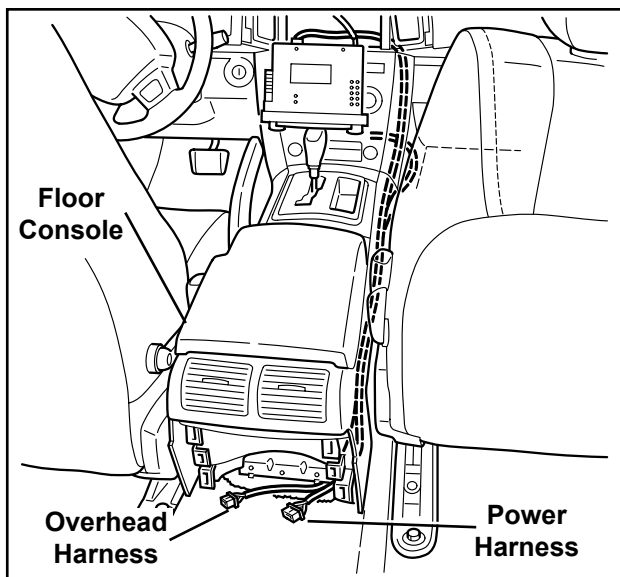
- 10) Hand feed 12-way connector on power harness (Item 8) into radio opening and down the right side of center console.
- 11) Plug 22-way connectors in-between the radio and radio harness connector.
- 12) Plug 10-way connector into the radio.

NOTE: If there is a 10-way connector already present in the radio, it means that the vehicle is equipped with Satellite Radio. Refer to the following procedure (A-F) and graphic:

- a) Unplug 10-way connector from the radio.
- b) Using a hooked pick tool lift up the connector locking wedge slightly (do not remove it entirely).
- c) Remove the three wires from connector and discard it.

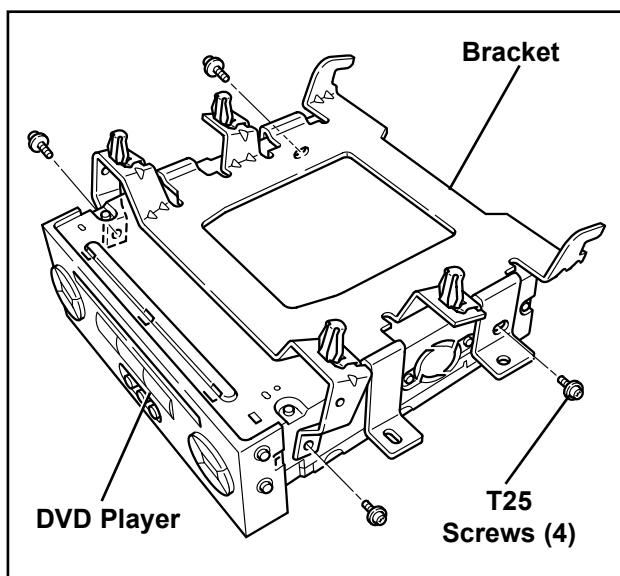
- d) Lift up the 10-way power harness connector locking wedge slightly.
- e) Insert the three wires into 10-way power harness connector as shown at left.
- f) Engage locking wedge and plug connector into the radio.





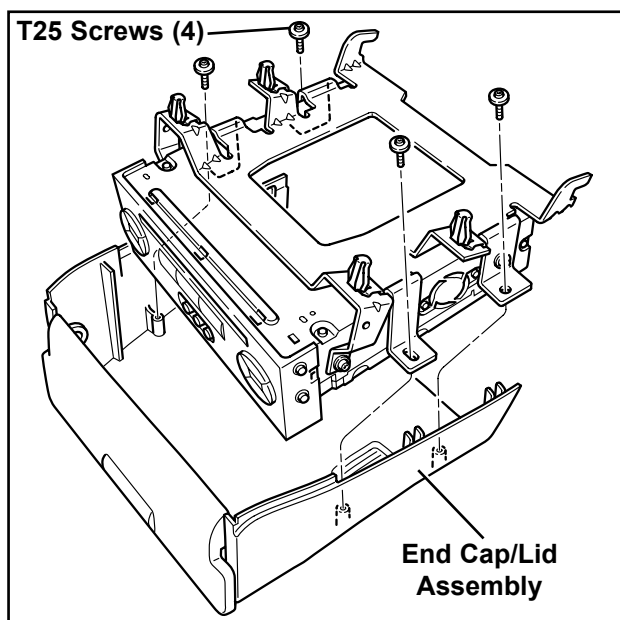
- 13) Route power harness and overhead harness rearward behind right side of floor console and under the carpet liner.
- 14) Position the harness connectors approximately 6" (152mm) out of the rear console's end cap mounting tabs.
- 15) Bundle up any slack in the harness, tape, and tuck neatly inside of center console.

NOTE: Make sure the power harness and overhead harness remain under the carpet liner to prevent rattles.

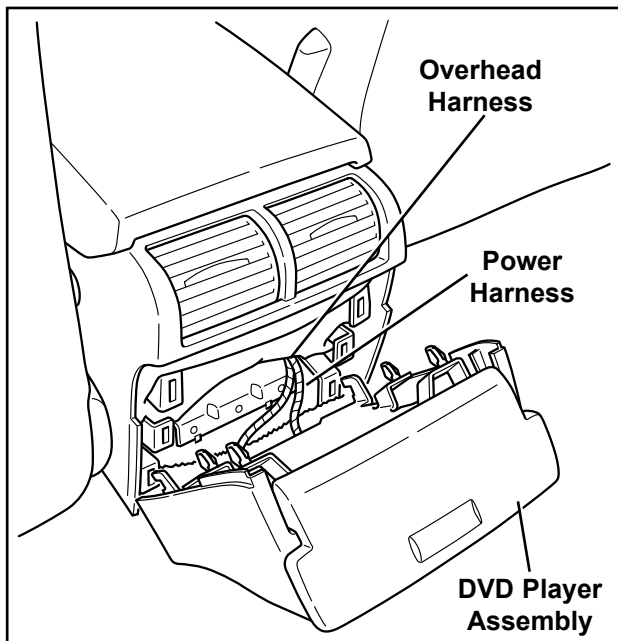


E – Install DVD Player and Screen Console:

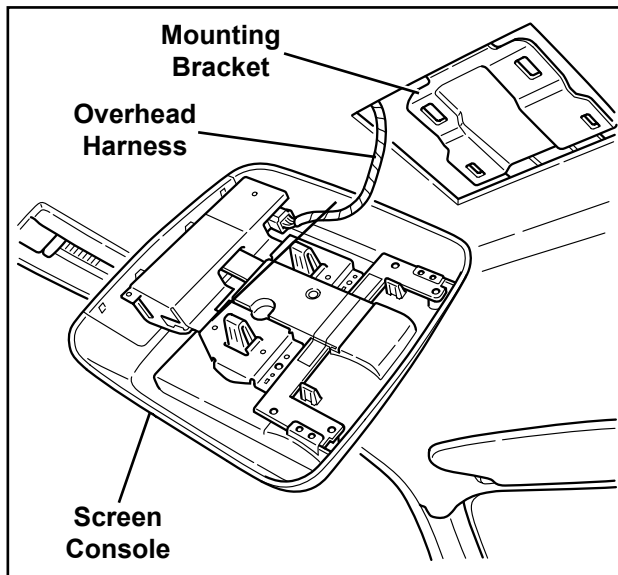
- 1) Install bracket (Item 9) to DVD player (Item 10) with four T25 screws (Item 11).



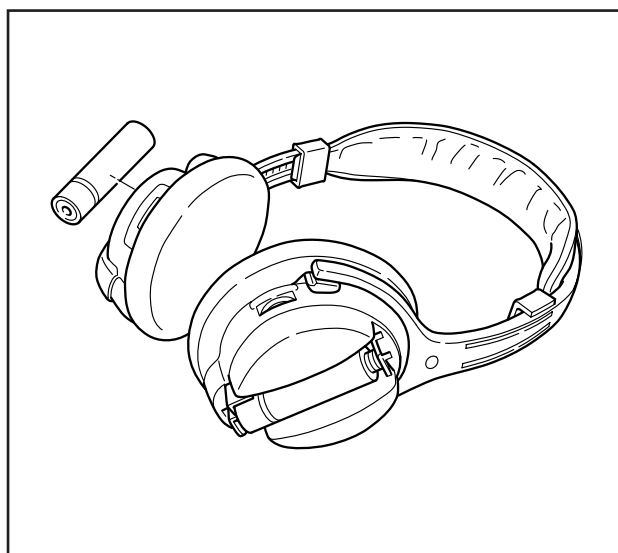
- 2) Install bracket/DVD player to the appropriately colored end cap/lid assembly (Item 12) with four T15 screws (Item 13).



- 3) Plug 12-way power harness connector and 16-way overhead harness connector into the back of DVD player.
- 4) Fully engage the DVD bracket's two hook tabs to the floor console bottom mounting slots.
- 5) Snap four retaining clips on the DVD bracket into the floor console mounting slots. Make sure the harnesses are not pinched or crimped.



- 6) Plug and lock overhead harness connector into the screen console (Item 14).
- 7) Snap four retaining clips on the top of screen console into the mounting bracket slots.
- 8) Open the screen and carefully remove the attached DVD remote (Item 15).
- 9) Peel and stick mercury warning label (Item 16) to lower portion of forward facing surface of the left (driver's side) B-pillar.



F – Finalize Installation and Perform Operation Test:

- 1) Re-install all previously removed components, panels, and fasteners.
- 2) Re-connect the vehicle's battery.
- 3) Place supplied batteries (Item 17) into both headphones (Item 18) as shown.
- 4) Place batteries into DVD remote.

- 5) Turn on ignition and the unit will power up.
- 6) Use a diagnostic STARSCAN tool so that the Front Control Module (FCM) is reconfigured and recognizes the Video Entertainment System (VES). Follow the procedure shown below.

IN THE INITIAL START UP SCREEN

- PRESS -----
- TOGGLE DOWN AND HIGHLIGHT -----
- PRESS -----
- PRESS -----
- TOGGLE DOWN AND HIGHLIGHT -----
- PRESS -----

*FOLLOW ON SCREEN PROMPTS
(I.E. CYCLE IGNITION KEY)*

- PRESS -----
- PRESS -----

- 7) Insert a known good DVD into the player.
- 8) Verify function of headphones and DVD remote using supplied Operating Instructions (Item 19).
- 9) Place Operating Instructions in the vehicle's glove box.