



NUMBER: 09-004-08

GROUP: Engine

DATE: November 7, 2008

This bulletin is supplied as technical information only and is not an authorization for repair. No part of this publication may be reproduced, stored in a retrieval system, or transmitted, in any form or by any means, electronic, mechanical, photocopying, or otherwise, without written permission of Chrysler LLC.

SUBJECT:

3.0L Diesel Buzz, Squeak Or Rattle Sound From Under Hood

OVERVIEW:

This bulletin involves verifying origin of sound and if necessary, removing the upper Diesel Particulate Filter (DPF) bracket from engine to DPF lines.

MODELS:

| | | |
|-------------|------|--|
| 2007 - 2009 | (WH) | Grand Cherokee (International Markets) |
| 2007 - 2009 | (XH) | Commander (International Markets) |

NOTE: This bulletin applies to vehicles equipped with a 3.0L diesel engine (sales code EXL) built before October 9, 2008 (MDH 1009XX).

SYMPTOM/CONDITION:

The vehicle operator may hear a sound that may be described as a buzz, squeak or rattle sound from the under hood. This sound is more noticeable at idle up.

DIAGNOSIS:

Using a Scan Tool (StarSCAN®) with the appropriate Diagnostic Procedures available in TechCONNECT, verify all engine systems are functioning as designed. If DTC's are present record them on the repair order and repair as necessary before proceeding further with this bulletin.

If the vehicle operator describes the Symptom/Conditions and they can be verified, perform the Repair Procedure.

PARTS REQUIRED:

| Qty. | Part No. | Description |
|------|----------|-------------|
| 2 | 06100876 | Washer |



Stick with the Specialists™

REPAIR PROCEDURE:

1. Gain access to the DPF line bracket (left rear of the engine) (Fig. 1).

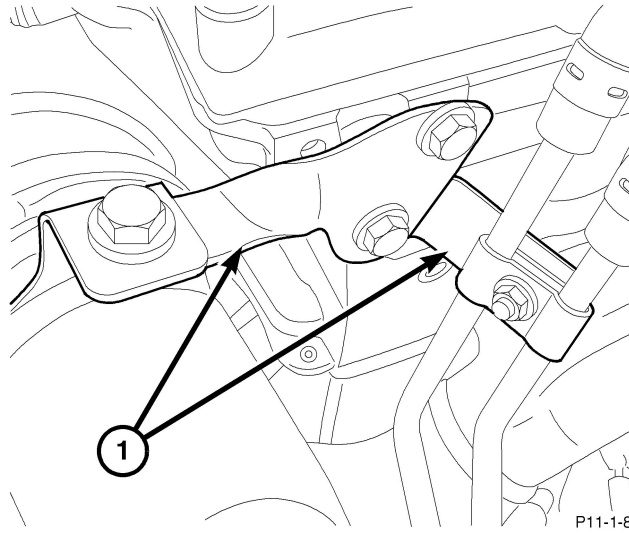


Fig. 1 DPF BRACKET

1 - DPF Line Bracket

2. Remove the DPF bracket from the DPF lines to the engine and discard bracket and bolt. (Fig. 1).

NOTE: Do not remove the engine to exhaust bracket.

3. Insert one washer (p/n 06100867) on each bolt between engine and exhaust bracket.
4. Torque bolts to 12 Nm (8.8 ft. lbs.).

POLICY:

Reimbursable within the provisions of the warranty.

TIME ALLOWANCE:

| Labor Operation No: | Description | Amount |
|---------------------|------------------------------|----------|
| 11-50-04-90 | DPF Line bracket, Remove (C) | 0.3 Hrs. |

FAILURE CODE:

| | |
|----|----------------|
| ZZ | Service Action |
|----|----------------|