



NUMBER: 09-014-04

GROUP: Engine

DATE: October 01, 2004

This bulletin is supplied as technical information only and is not an authorization for repair. No part of this publication may be reproduced, stored in a retrieval system, or transmitted, in any form or by any means, electronic, mechanical, photocopying, or otherwise, without written permission of DaimlerChrysler Corporation.

THIS BULLETIN IS BEING PROVIDED IN ADVANCE. DO NOT ORDER PARTS OR PERFORM ANY ACTIONS RELATED TO THIS BULLETIN UNTIL OCTOBER 15, 2004.

SUBJECT:

New Oil Filter Splash Guard For 3.7L Engine

OVERVIEW:

This bulletin involves the installation of an oil filter splash guard.

MODELS:

2005 (WK) Grand Cherokee

NOTE: This bulletin applies to vehicles equipped with a 3.7L engine (sales code EKG) and built prior to October 15, 2004 (MDH 1015XX).

SYMPTOM/CONDITION:

A number of early built vehicles equipped with a 3.7L engine may have been built without an additional oil filter splash guard to improve the control of engine oil when the oil filter is removed. The new oil filter splash guard is mounted directly to the engine block and is in addition to the plastic oil drain trough that is attached to the vehicle chassis.

DIAGNOSIS:

If the vehicle's 3.7L engine is not equipped with the engine block mounted oil filter splash guard perform the Repair Procedure.

PARTS REQUIRED:

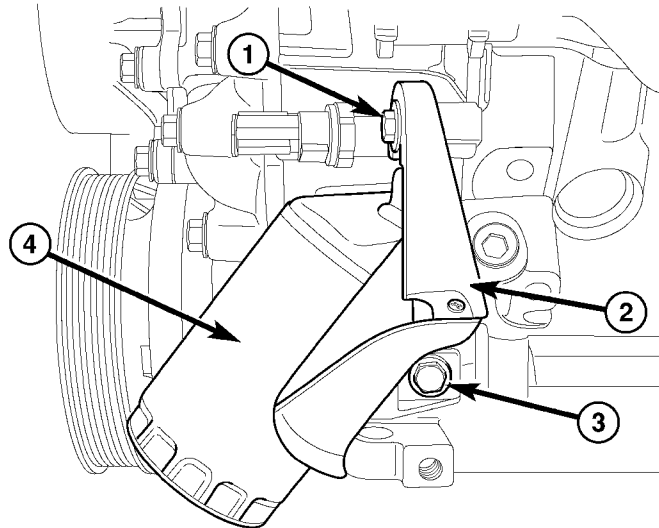
Qty.	Part No.	Description
1	53013815AA	Guard, Oil Filter Splash (3.7L)
1	06101794	Bolt (10 mm x 1.5 mm x 25 mm)
1	06501979	Bolt (6 mm x 1.0 mm x 17 mm)



Stick with the Specialists™

REPAIR PROCEDURE:

1. Stop Engine. Raise vehicle on a suitable lift.
2. Hand start the splash guard top attaching bolt (6 mm) (Fig. 1).
3. Attach (hook) the end of the oil filter splash guard onto the top attaching bolt (6 mm).
4. Rotate the bottom of the splash guard towards the engine block. Hand start the splash guard bottom attaching bolt (10 mm).
5. Tighten the top 6 mm bolt to 12 Nm (105 in. lbs.)
6. Tighten the bottom 10 mm bolt to 55 Nm (41 ft. lbs.).
7. Lower vehicle.



8159dd79

Fig. 1 3.7L OIL FILTER SPLASH GUARD

- 1 - Splash Guard Top Attaching Bolt (6 mm)
- 2 - 3.7L Oil Filter Splash Guard
- 3 - Splash Guard Bottom Attaching Bolt (10 mm)
- 4 - 3.7L Oil Filter

POLICY:

Reimbursable within the provisions of the warranty.

TIME ALLOWANCE:

Labor Operation No:	Description	Amount
09-55-04-90	Guard, Oil Filter Splash - Replace	0.2 Hrs.

FAILURE CODE:

P8	New Part
----	----------