



NUMBER: 23-017-10

GROUP: Body

DATE: September 22, 2010

This bulletin is supplied as technical information only and is not an authorization for repair. No part of this publication may be reproduced, stored in a retrieval system, or transmitted, in any form or by any means, electronic, mechanical, photocopying, or otherwise, without written permission of Chrysler Group LLC.

THIS SERVICE BULLETIN IS ALSO BEING RELEASED AS RAPID RESPONSE TRANSMITTAL 10-062. ALL APPLICABLE SOLD AND UN-SOLD VIN's HAVE BEEN LOADED. TO VERIFY THAT THIS SERVICE ACTION IS APPLICABLE TO THE VEHICLE, USE VIP OR PERFORM A VIN SEARCH IN TECHCONNECT. ALL REPAIRS ARE REIMBURSABLE WITHIN THE PROVISIONS OF WARRANTY.

SUBJECT:

Missing Tow Hooks and Skid Plates

OVERVIEW:

This bulletin involves inspecting the vehicle for missing tow hooks and skid plates and if necessary installing them.

MODELS:

2010 (WK) Grand Cherokee

DISCUSSION:

A small number of vehicles were shipped without tow hooks and skid plates. Dealers are required to inspect and if necessary install the tow hooks and skid plates.

SYMPTOM/CONDITION:

Vehicle is missing tow hooks and skid plates.

DIAGNOSIS:

If the Symptom/Condition is found perform the inspection procedure.

PARTS REQUIRED:

Qty.	Part No.	Description
1(AR)	82208714	Plate, Fuel Tank Skid
1(AR)	82208712	Plate, Transfer Case Skid
1(AR)	82208713	Plate, Front Skid
2(AR)	82208987	Hook, Front Tow
1(AR)	82208711AB	Hook, Rear Tow



Stick with the Specialists™

INSPECTION PROCEDURE:

1. Inspect the vehicle for front tow hooks (Fig. 1), transfer case skid plate (Fig. 2), front skid plate (Fig. 3) fuel tank skid plate (Fig. 4) and rear tow hook for vehicles equipped without the trailer tow package . Were the components installed on the vehicle?
 - a. Yes>>> Return the vehicle to the customer or dealer inventory.
 - b. No>>> Proceed to the repair procedure.

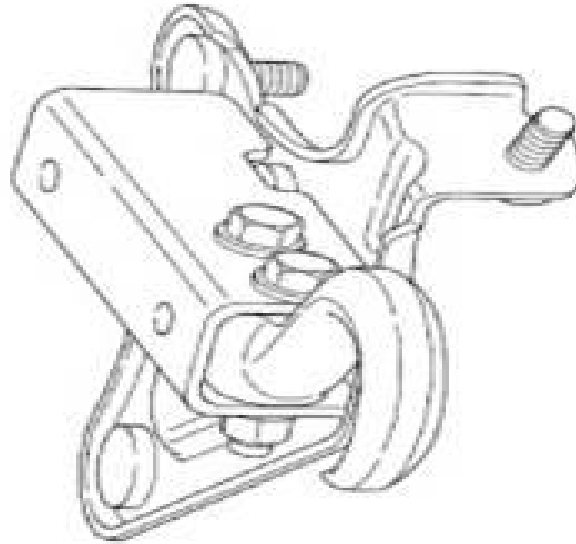


Fig. 1 Front Tow Hook

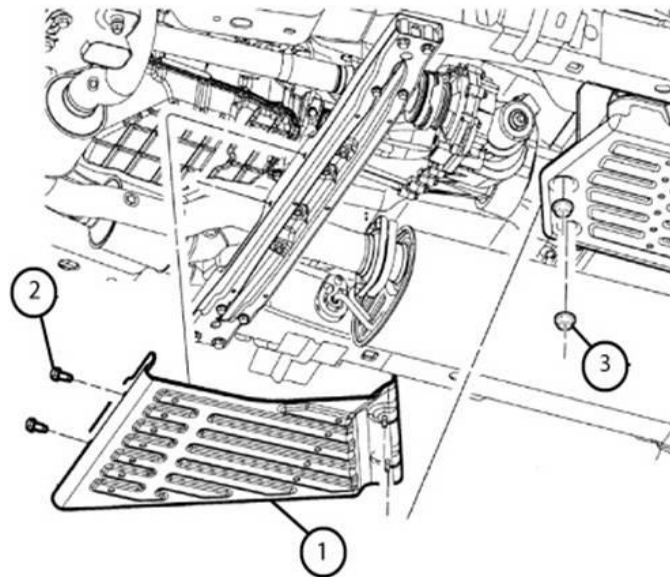


Fig. 2 Transfer Case Skid Plate

- 1 - Transfer Case Skid Plate
 - 2 - Mounting Bolts 35 ft.-lbs. (47Nm.)
 - 3 - Mounting Nuts 35 ft.-lbs. (47Nm.)
-

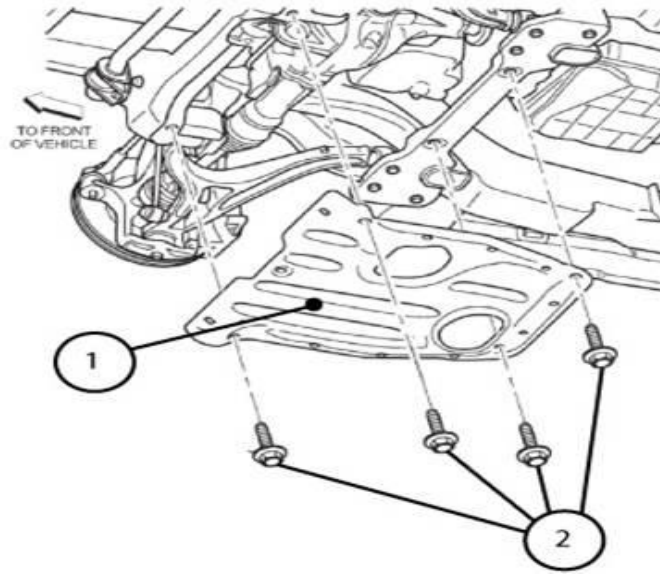


Fig. 3 Front Skid Plate

- 1 - Front Skid Plate
- 2 - Bolts 19 ft.-lbs. (25 Nm.)

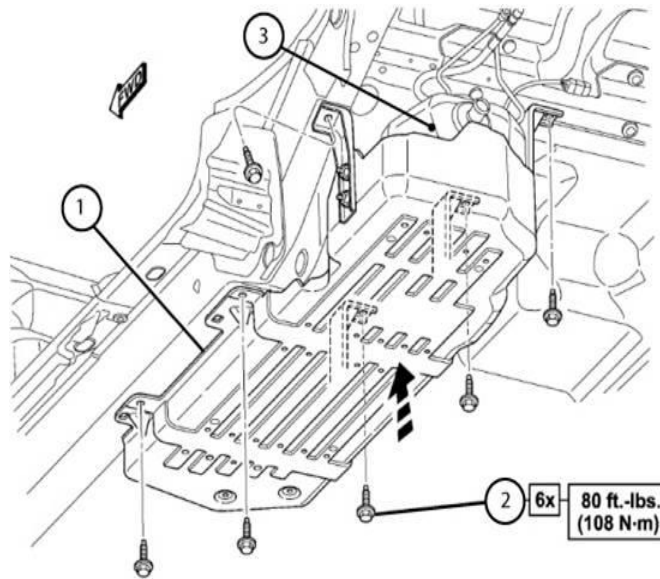


Fig. 4 Fuel Tank Skid Plate

- 1 - Fuel Tank Skid Plate
- 2 - Fuel Tank

REPAIR PROCEDURE: INSTALL FRONT TOW HOOKS:

1. Remove the front fascia. Refer to the detailed removal procedures available in DealerCONNECT>Tech CONNECT>Service Info> 13- Frame and Bumpers> Bumpers> FASCIA, Front> Removal.
2. Remove the bumper reinforcement cap on the right and left side (Fig. 5).

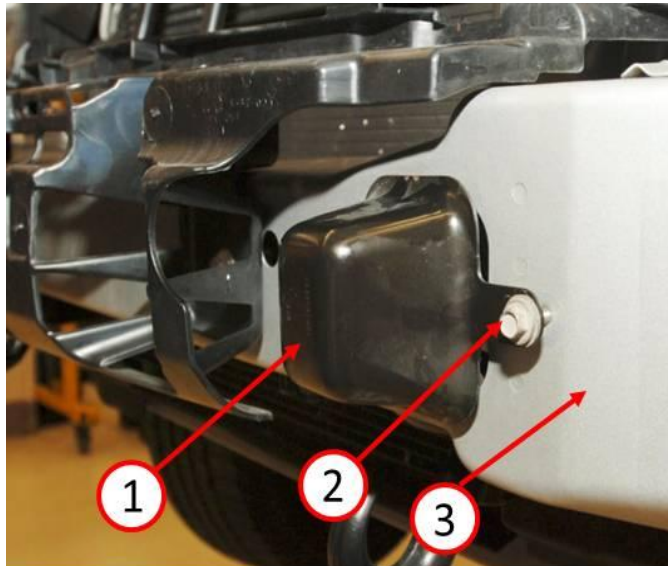


Fig. 5 Bumper Reinforcement Cap

- 1 - Bumper Reinforcement Cap
 - 2 - Retaining Bolt
 - 3 - Bumper Reinforcement
-

3. Insert the single and double studded tow hook brackets into the front reinforcement bar on the right and left sides (Fig. 6).

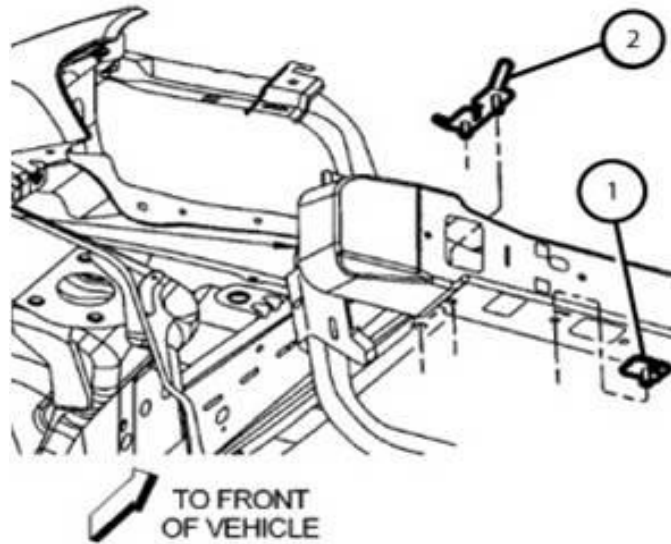


Fig. 6 Bumper Reinforcement Stud

- 1 - Single stud bracket
- 2 - Double Studded Bracket

-
4. Position and torque the tow hooks with the three nuts provided per side to 50 ft.-lbs. (68 Nm.).
 5. Install the bumper reinforcement cap on the left and right side (Fig. 5).
 6. Install the front fascia. Refer to the detailed Installation procedures available in DealerCONNECT>Tech CONNECT>Service Info> 13- Frame and Bumpers> Bumpers> FASCIA, Front> Installation.

REPAIR PROCEDURE: INSTALL REAR TOW HOOK:

1. Install rear tow hook only if the vehicle has not been equipped with the trailer tow package.
2. Remove the rear fascia. Refer to the detailed Removal procedures available in DealerCONNECT>Tech CONNECT>Service Info> 13- Frame and Bumpers> Bumpers> FASCIA, Rear> Removal.

- Position the rear tow hook brackets and loosely secure fasteners. Align the rear tow hook with the bracket and torque all fasteners to 65 ft.-lbs. (55 Nm.) (Fig. 7).

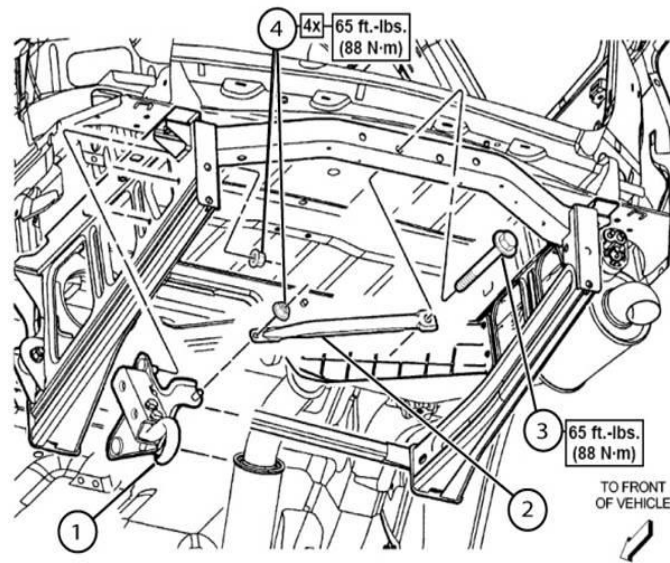


Fig. 7 Rear Tow Hook

- 1 - Rear Tow Hook
- 2 - Bracket
- 3 - Bolt
- 4 - Retaining Nut

-
- Install the rear fascia. Refer to the detailed Removal procedures available in DealerCONNECT>Tech CONNECT>Service Info> 13- Frame and Bumpers> Bumpers> FASCIA, Rear> Installation.

REPAIR PROCEDURE: INSTALL FUEL TANK SKID PLATE:

- Remove the fuel tank. Refer to the detailed removal procedures available in DealerCONNECT>Tech CONNECT>Service Info>14 - Fuel System> Fuel Delivery, Gas> TANK,Fuel> Removal.

NOTE: Discard the fasteners referenced in steps 8 and 9 of the fuel tank removal procedure.

2. Install left rear mount bracket to the fuel tank skid plate with hex flange nuts and torque to 50 ft.-lbs. (68Nm) (Fig. 8).

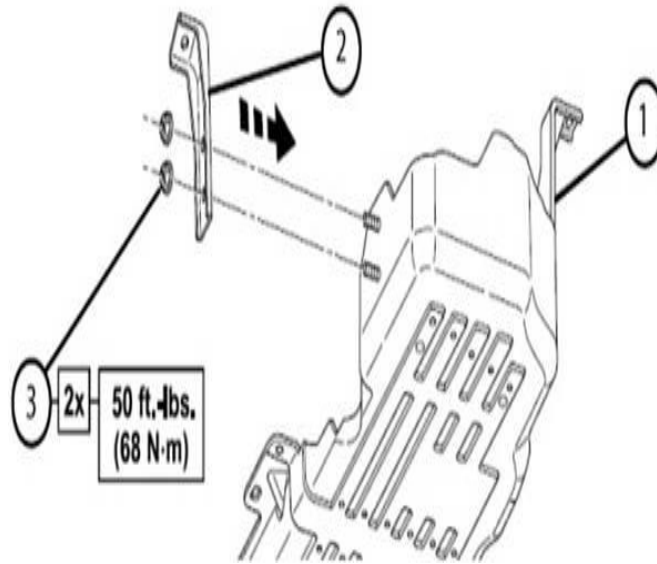


Fig. 8 Fuel Tank Skid Plate Bracket

- 1 - Fuel Tank Skid Plate
 - 2 - Fuel Tank Skid Plate Bracket
 - 3 - Hex Flange Nuts
-

3. Seat the fuel tank into the skid plate (Fig. 9).
4. Raise and position fuel tank to vehicle body using a hydraulic jack (Fig. 9).
5. Install and torque bolts to 80ft.-lbs.(108NM) (Fig. 9).

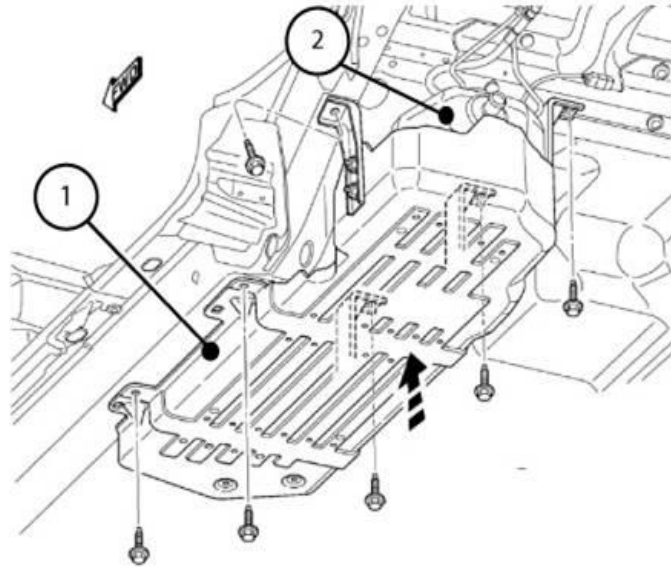


Fig. 9 Fuel Tank Skid Plate

- 1 - Fuel Tank Skid Plate
- 2 - Bolts
- 3 - Fuel Tank

-
6. Lower and remove the hydraulic jack.
 7. Connect EVAP, ORVR, fuel and NVLD lines at front and rear of tank.

8. Connect fuel pump module electrical jumper connector (5) to body connector (6) (Fig. 10).

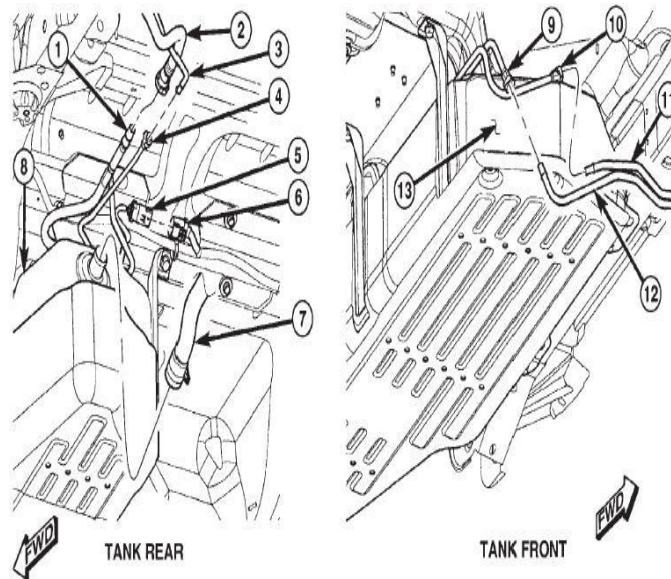


Fig. 10 Fuel Tank

9. Connect rubber fill hose (3) to tank fitting (7) and tighten clamp (9) (Fig. 11).

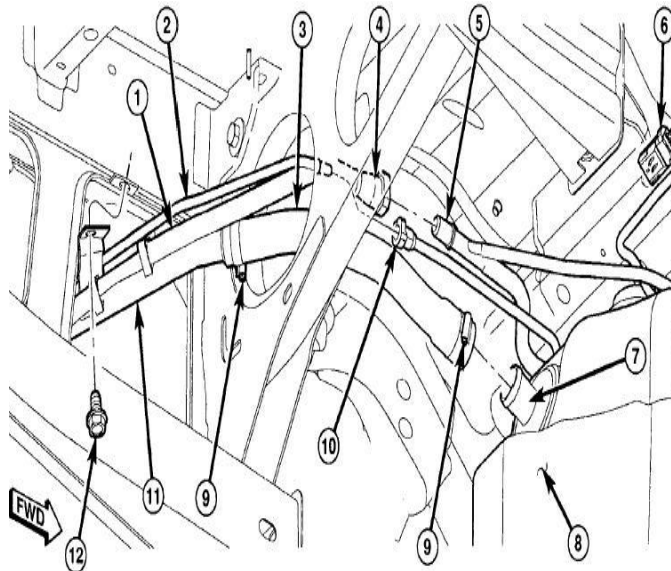


Fig. 11 Fuel Tube Routing

10. Lower vehicle.
11. Fill fuel tank.
12. Start engine and check for fuel leaks near top of module.

REPAIR PROCEDURE: INSTALL TRANSFER CASE SKID PLATE:

1. Raise the vehicle on a suitable hoist. Refer to the detailed service procedures available in DealerCONNECT>Tech CONNECT>Service Info> 04 Vehicle Quick Reference> Hoisting> Standard Procedure> HOISTING.
2. Position and install the transfer case skid plate. torque the bolts to 35 ft.-lbs (47Nm) (2) and the nuts to 35 ft.-lbs. (47Nm) (3) (Fig. 12).

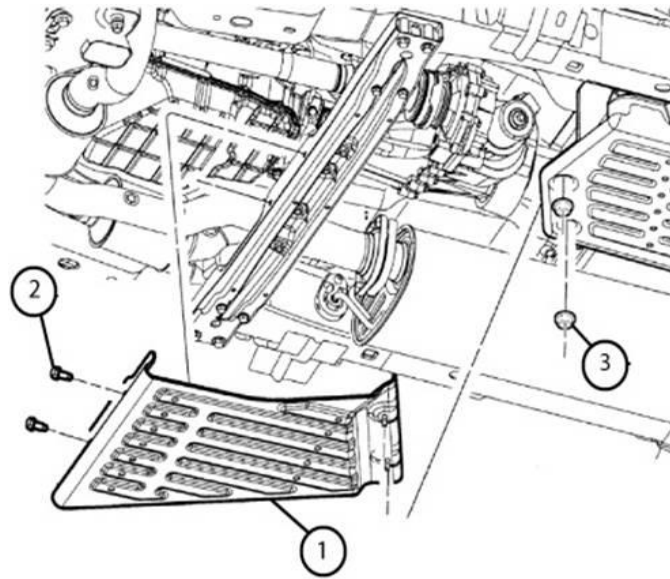


Fig. 12 Transfer Case Skid Plate

- 1 - Transfer Case Skid Plate
- 2 - Mounting Bolts
- 3 - Mounting Nuts 35 ft.-lbs. (47Nm)

REPAIR PROCEDURE: INSTALL FRONT SKID PLATE:

1. Install the front skid plate as shown in (Fig. 3) and torque all mounting bolts to 19 ft.-lbs. (25Nm).
2. Return the vehicle to the customer or dealer inventory.

POLICY:

Reimbursable within the provisions of the warranty.

TIME ALLOWANCE:

Labor Operation No:	Description	Amount
13-30-04-93	Inspect for missing Tow Hooks/Skid Plates Only (C)	0.2 Hrs.
13-30-04-94	Inspect and Install Front Skid Plate, Transfer Case Skid Plate, Fuel Tank Skid Plate and Tow Hooks (C)	2.0 Hrs.

FAILURE CODE:

ZZ	Service Action
----	----------------